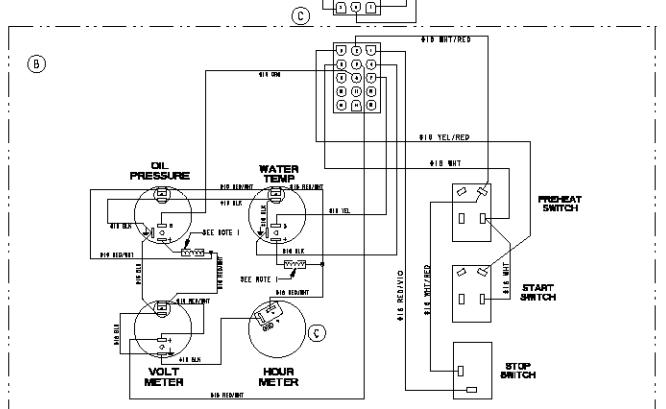


- NOTE:**
- 1. REMOTE CONNECTOR PINS
 - 2. REMOVE METAL SCREEN FROM INJECTION PUMP BEFORE INSTALLING UNGROUNDED FUEL SOLENOID
 - 3. FOR 24 VOLT SYSTEM, USE 150Ω RESISTOR AS SHOWN.



NO.	REV.	DATE	DESCRIPTION	BY	CHKD.	APPROVED
5661	11-2		ADDED JUMPER BETWEEN TB2-087; K2-88 WAS CONNECTED TO TB2-8.	GA		
5536	11-23		ADDED OVERSPEED BOARD	GA		
5384	02/17		THE FUEL CONVERTER WAS 50°F FINE; REMOVED CONNECTORS FROM HOUR METER ON INJECTION PUMP	GA		
5121	1/1/14		GAGES CHANGED, REWIRED INSTRUMENT PANEL	JPS		
4777	1/1/14		ADDED WIRING FOR GROUND SOLENOID	JH		
ED NO.	DATE	REV.	REVISION RECORD	AUTH.	DR BY	DATE APPROVED

TOLERANCES	FINISHED	MILLIMETERS	UNFINISHED	MILLIMETERS
	±.005		±.015	
	±.010		±.030	
	±.015		±.045	
	±.020		±.060	
	±.030		±.090	
	±.040		±.120	
	±.050		±.150	
	±.060		±.180	
	±.070		±.210	
	±.080		±.240	
	±.090		±.270	
	±.100		±.300	
	±.120		±.360	
	±.150		±.450	
	±.200		±.600	
	±.250		±.750	
	±.300		±.900	
	±.400		±.1200	
	±.500		±.1500	
	±.600		±.1800	
	±.750		±.2250	
	±.900		±.2700	
	±.1000		±.3000	
	±.1200		±.3600	
	±.1500		±.4500	
	±.2000		±.6000	
	±.2500		±.7500	
	±.3000		±.9000	
	±.4000		±.12000	
	±.5000		±.15000	
	±.6000		±.18000	
	±.7500		±.22500	
	±.9000		±.27000	
	±.10000		±.30000	
	±.12000		±.36000	
	±.15000		±.45000	
	±.20000		±.60000	
	±.25000		±.75000	
	±.30000		±.90000	
	±.40000		±.120000	
	±.50000		±.150000	
	±.60000		±.180000	
	±.75000		±.225000	
	±.90000		±.270000	
	±.100000		±.300000	
	±.120000		±.360000	
	±.150000		±.450000	
	±.200000		±.600000	
	±.250000		±.750000	
	±.300000		±.900000	
	±.400000		±.1200000	
	±.500000		±.1500000	
	±.600000		±.1800000	
	±.750000		±.2250000	
	±.900000		±.2700000	
	±.1000000		±.3000000	
	±.1200000		±.3600000	
	±.1500000		±.4500000	
	±.2000000		±.6000000	
	±.2500000		±.7500000	
	±.3000000		±.9000000	
	±.4000000		±.12000000	
	±.5000000		±.15000000	
	±.6000000		±.18000000	
	±.7500000		±.22500000	
	±.9000000		±.27000000	
	±.10000000		±.30000000	
	±.12000000		±.36000000	
	±.15000000		±.45000000	
	±.20000000		±.60000000	
	±.25000000		±.75000000	
	±.30000000		±.90000000	
	±.40000000		±.120000000	
	±.50000000		±.150000000	
	±.60000000		±.180000000	
	±.75000000		±.225000000	
	±.90000000		±.270000000	
	±.100000000		±.300000000	
	±.120000000		±.360000000	
	±.150000000		±.450000000	
	±.200000000		±.600000000	
	±.250000000		±.750000000	
	±.300000000		±.900000000	
	±.400000000		±.1200000000	
	±.500000000		±.1500000000	
	±.600000000		±.1800000000	
	±.750000000		±.2250000000	
	±.900000000		±.2700000000	
	±.1000000000		±.3000000000	
	±.1200000000		±.3600000000	
	±.1500000000		±.4500000000	
	±.2000000000		±.6000000000	
	±.2500000000		±.7500000000	
	±.3000000000		±.9000000000	
	±.4000000000		±.12000000000	
	±.5000000000		±.15000000000	
	±.6000000000		±.18000000000	
	±.7500000000		±.22500000000	
	±.9000000000		±.27000000000	
	±.10000000000		±.30000000000	
	±.12000000000		±.36000000000	
	±.15000000000		±.45000000000	
	±.20000000000		±.60000000000	
	±.25000000000		±.75000000000	
	±.30000000000		±.90000000000	
	±.40000000000		±.120000000000	
	±.50000000000		±.150000000000	
	±.60000000000		±.180000000000	
	±.75000000000		±.225000000000	
	±.90000000000		±.270000000000	
	±.100000000000		±.300000000000	
	±.120000000000		±.360000000000	
	±.150000000000		±.450000000000	
	±.200000000000		±.600000000000	
	±.250000000000		±.750000000000	
	±.300000000000		±.900000000000	
	±.400000000000		±.1200000000000	
	±.500000000000		±.1500000000000	
	±.600000000000		±.1800000000000	
	±.750000000000		±.2250000000000	
	±.900000000000		±.2700000000000	
	±.1000000000000		±.3000000000000	
	±.1200000000000		±.3600000000000	
	±.1500000000000		±.4500000000000	
	±.2000000000000		±.6000000000000	
	±.2500000000000		±.7500000000000	
	±.3000000000000		±.9000000000000	
	±.4000000000000		±.12000000000000	
	±.5000000000000		±.15000000000000	
	±.6000000000000		±.18000000000000	
	±.7500000000000		±.22500000000000	
	±.9000000000000		±.27000000000000	
	±.10000000000000		±.30000000000000	
	±.12000000000000		±.36000000000000	
	±.15000000000000		±.45000000000000	
	±.20000000000000		±.60000000000000	
	±.25000000000000		±.75000000000000	
	±.30000000000000		±.90000000000000	
	±.40000000000000		±.120000000000000	
	±.50000000000000		±.150000000000000	
	±.60000000000000		±.180000000000000	
	±.75000000000000		±.225000000000000	
	±.90000000000000		±.270000000000000	
	±.100000000000000		±.300000000000000	
	±.120000000000000		±.360000000000000	
	±.150000000000000		±.450000000000000	
	±.200000000000000		±.600000000000000	
	±.250000000000000		±.750000000000000	
	±.300000000000000		±.900000000000000	
	±.400000000000000		±.1200000000000000	
	±.500000000000000		±.1500000000000000	
	±.600000000000000		±.1800000000000000	
	±.750000000000000		±.2250000000000000	
	±.900000000000000		±.2700000000000000	
	±.1000000000000000		±.3000000000000000	
	±.1200000000000000		±.3600000000000000	
	±.1500000000000000		±.4500000000000000	
	±.2000000000000000		±.6000000000000000	
	±.2500000000000000		±.7500000000000000	
	±.3000000000000000		±.9000000000000000	
	±.4000000000000000		±.12000000000000000	
	±.5000000000000000		±.15000000000000000	
	±.6000000000000000		±.18000000000000000	
	±.7500000000000000		±.22500000000000000	
	±.9000000000000000		±.27000000000000000	
	±.10000000000000000		±.30000000000000000	
	±.12000000000000000		±.36000000000000000	
	±.15000000000000000		±.45000000000000000	
	±.20000000000000000		±.60000000000000000	
	±.25000000000000000		±.75000000000000000	
	±.30000000000000000		±.90000000000000000	
	±.40000000000000000		±.120000000000000000	
	±.50000000000000000		±.150000000000000000	
	±.60000000000000000		±.180000000000000000	
	±.75000000000000000		±.225000000000000000	
	±.90000000000000000		±.270000000000000000	
	±.100000000000000000		±.300000000000000000	
	±.120000000000000000		±.360000000000000000	
	±.150000000000000000		±.450000000000000000	
	±.200000000000000000		±.600000000000000000	
	±.250000000000000000		±.750000000000000000	
	±.300000000000000000		±.900000000000000000	
	±.400000000000000000		±.1200000000000000000	
	±.500000000000000000		±.1500000000000000000	
	±.600000000000000000		±.1800000000000000000	
	±.750000000000000000		±.2250000000000000000	
	±.900000000000000000		±.2700000000000000000	
	±.1000000000000000000		±.3000000000000000000	
	±.1200000000000000000		±.3600000000000000000	
	±.1500000000000000000		±.4500000000000000000	
	±.2000000000000000000		±.6000000000000000000	
</				